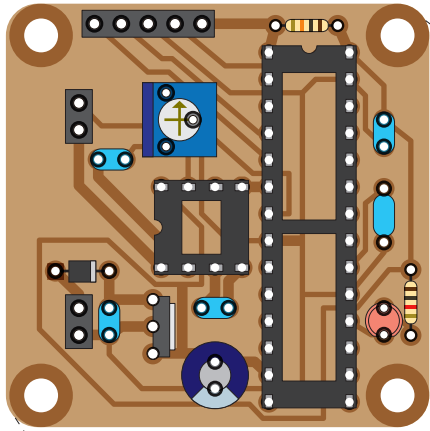
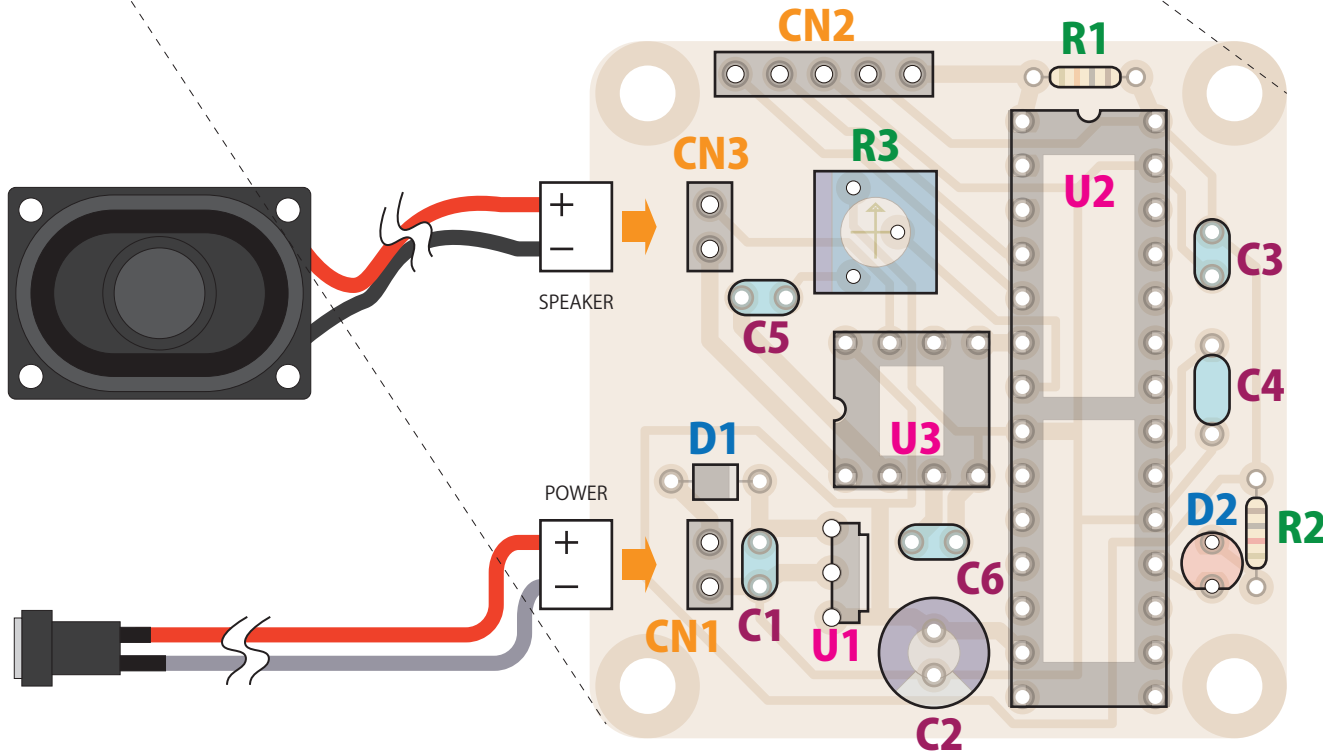
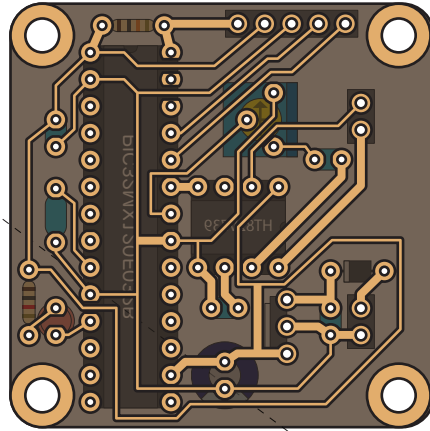


front



back



Capacitor	C1	0.1uF
	C2	100uF
	C3	0.1uF
	C4	10uF
	C5	1uF
	C6	1uF
Diode	D1	14S
	D2	LED
Resistor	R1	10KΩ
	R2	1KΩ
	R3	500Ω
Semiconductor	U1	TA48M033F
	U2	IC socket 28pin (for PIC32MX)
	U3	IC socket 8pin (for H82V739)
Connector	CN1	2 pin
	CN2	5 pin
	CN3	2 pin
Others	SP	Speaker 4ohm 2W
	JACK	DC jack
	PLUG	DC plug
	BAT	006P (or DC4.5~9V)

Capacitor	C1	0.1uF
	C2	100uF
	C3	0.1uF
	C4	10uF
	C5	1uF
	C6	1uF
Diode	D1	14S
	D2	LED
Resistor	R1	10KΩ
	R2	1KΩ
	R3	500Ω
Semiconductor	U1	TA48M033F
	U2	IC socket 28pin (for PIC32MX)
	U3	IC socket 8pin (for H82V739)
Connector	CN1	2 pin
	CN2	5 pin
	CN3	2 pin
Others	SP	Speaker 4ohm 2W
	JACK	DC jack
	PLUG	DC plug
	BAT	006P (or DC4.5~9V)

